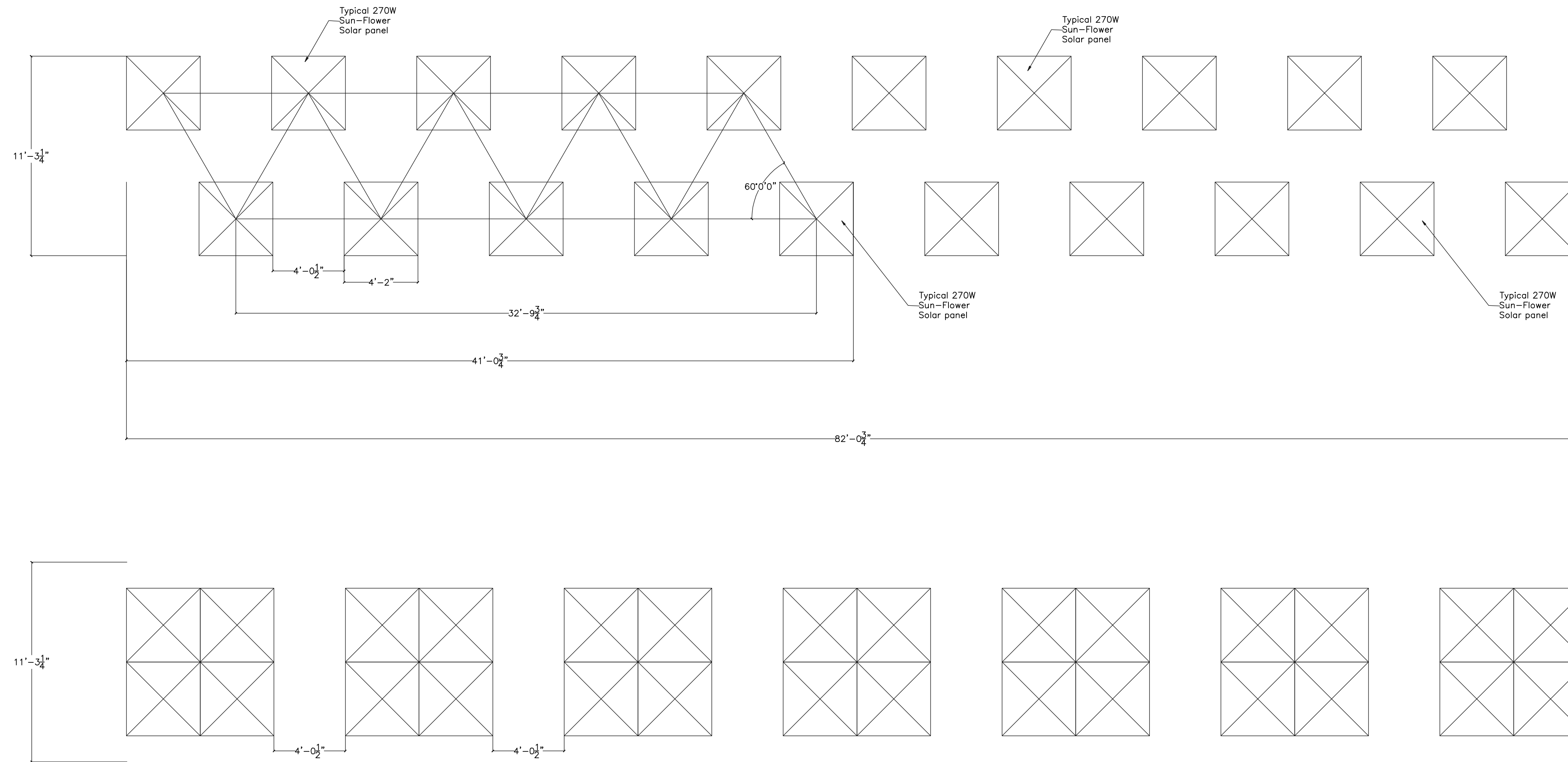


PLAN VIEW LAY OUT  
SCALE 1/4"=1'



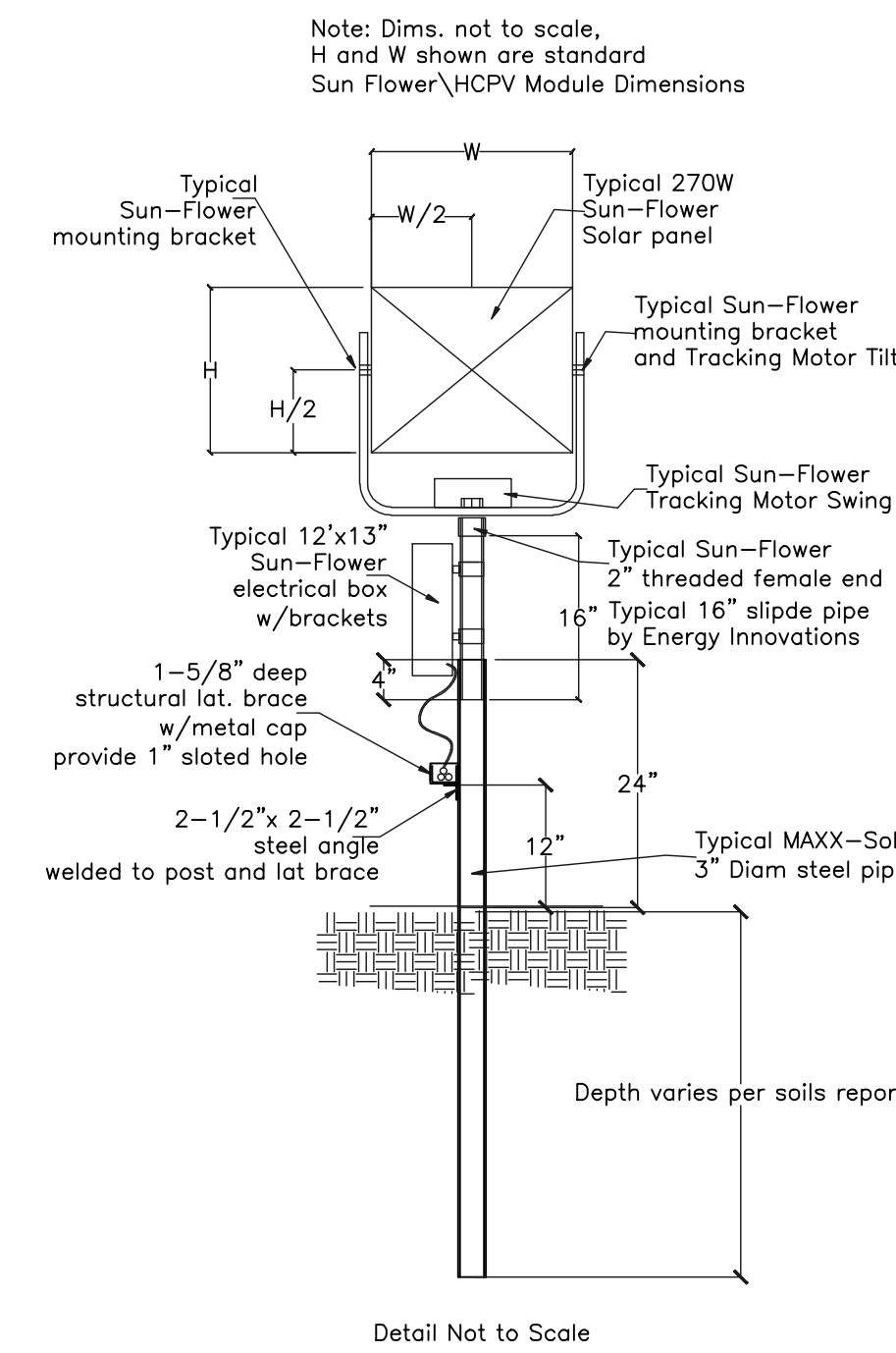
Existing 270 Sun-Flower  
NTS

New 1080 Sun-Flower  
NTS

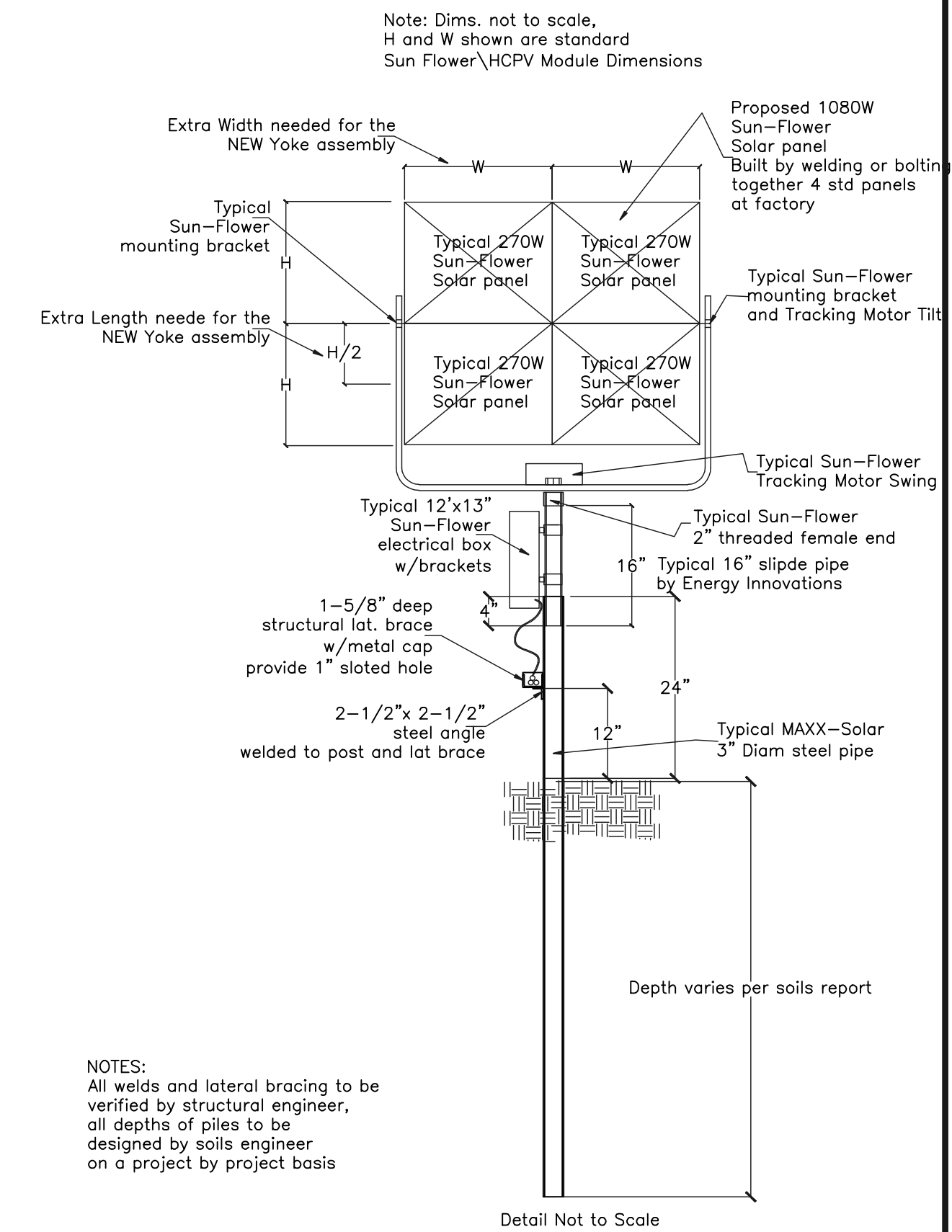
(20) Typical 270W Sun-Flower  
Solar panels 5400W total

(7) Typical 1080W Sun-Flower  
Solar panels 7560W total  
40% increase same area

ALL MEMBER SIZES SHOWN HEREON ARE  
PRELIMINARY AND REQUIRE VERIFICATION BY  
STRUCTURAL ENGINEER



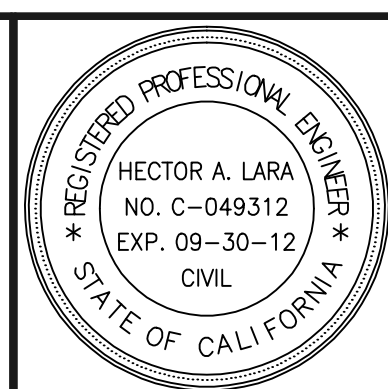
Detail Not to Scale



Detail Not to Scale

NO.	DATE	BY	REVISIONS	APPR. DATE
ENGINEER				COUNTY
DESIGNED BY		DRAWN BY	CHECKED BY	

PREPARED BY:  
**LAMDA ENGINEERING & DEVELOPMENT**  
Solar / wind / Geo  
33175 Temecula Parkway, Suite "A-505" (951) 676-7688  
TEMECULA, CA 92592 FAX (951) 676-5150  
E-mail: lamdadev@yahoo.com LAMDADEV.COM



under the supervision of:  
Hector A. Lara, P.E.  
R.C.E. NO. C 049312 EXP. DATE 9/30/2012



**Renewable Energy Consultants**  
3965 Howard Hughes Parkway, Suite 500  
Las Vegas, Nevada 89169  
Contact: Gerald Rauch, CEO/ Pres.  
Voice: 951-757-6149

**PRELIMINARY SUN-FLOWER MODIFICATIONS**  
To 270W Sun-Flower  
and design of NEW 1080W Sun-Flower  
For Spur Energy Park, City of Spur Texas

SCALE: AS SHOWN BENCH MARK:  
DATE 01/26/2011 SEE SHEET 1

**MAXX-RACK**  
Solar Racking Systems

FOR: MAXX Solar WO: 1209C630B

SHEET NO. 1  
OF 1 SHEETS  
FILE NO.